

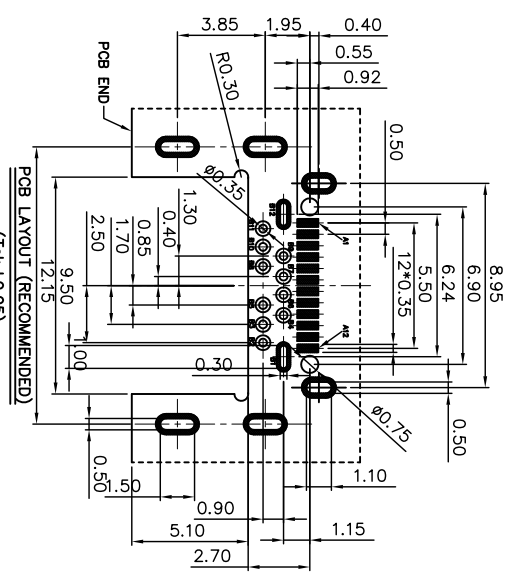
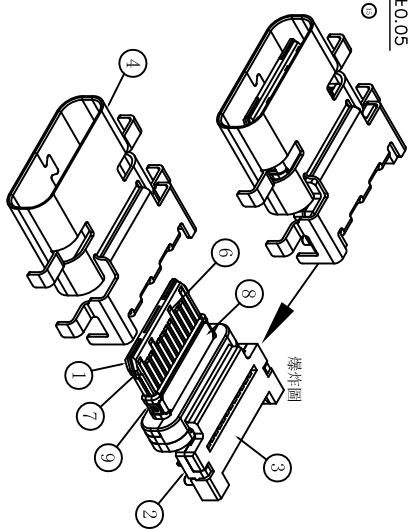
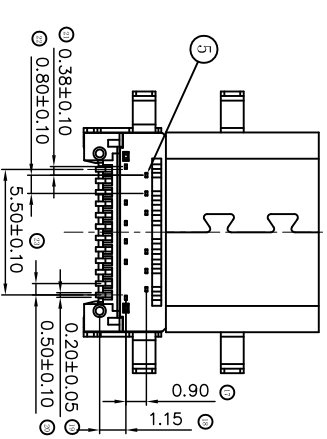
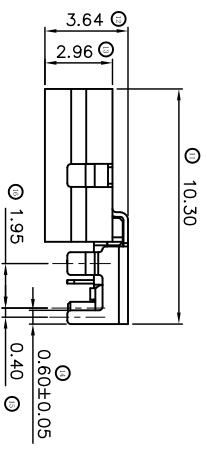
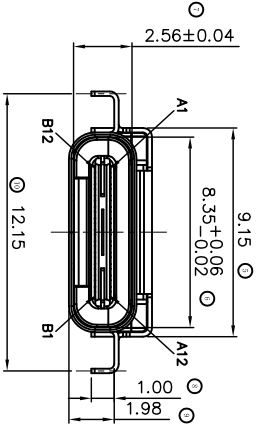
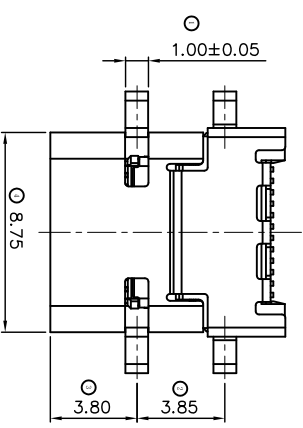
目錄
MAPX

變更內容
MODIFICATION

日期
DATE

PIN	Signal Name	PIN	Signal Name
A1	GND	B12	GND
A2	SSTXp1	B11	SSRXp1
A3	SSTXn1	B10	SSRXn1
A4	VBUS	B9	VBUS
A5	CC1	B8	SBU2
A6	Dp1	B7	Dn2
A7	Dn1	B6	Dp2
A8	SBU1	B5	CC2
A9	VBUS	B4	VBUS
A10	SSRXn2	B3	SSTXn2
A11	SSRXp2	B2	SSTXp2
A12	GND	B1	GND

ITEM	PARTS NAME	QTY	MATERIAL	FINISH/REMARK
1	Insertmold housing	1	SYNTHETIC RESIN	Black
2	12pin Insertmold-(1)	1	SYNTHETIC RESIN	Black
3	12pin Insertmold-(2)	1	SYNTHETIC RESIN	Black
4	SHELL	1	STAINLESS	14-50μ" Min
5	12pin Contact-(DIP)	12	COPPER ALLOY	Good finish on contact area 100μ" Min on contact area 100μ" Min on contact area 100μ" Min on contact area
6	12pin Contact-(SMT)	12	COPPER ALLOY	Good finish on contact area 100μ" Min on contact area 100μ" Min on contact area
7	Shield SHELL	1	STAINLESS	14-50μ" Min
8	Ground plate-top	1	STAINLESS	14-50μ" Min
9	Ground plate-bottom	1	STAINLESS	14-50μ" Min



SPECIFICATION
MATERIAL
 See drawing
STANDARD DATA
 FINISHING: 14-50μ" Min
 ELECTRICAL
 Insulator resistance: 100M ohms Min
 Withstanding voltage: 100 VAC / minute
 Contact resistance: 40 m ohms Max
 Mating force: 5~20N
 Durability: 10000 cycles Min.
 PART NO. D 1 3 -0824 - 24 001

SERIES D 1 3 -0824 - 24 001
TYPE D I/O Connector
TYPE NO. 001=Type 01
CONTRACT NUMBER 24=4-position
CONTRACT TYPE 3=SMT type

產品圖
PRODUCT CHART DWG

公差一覽表
TOLERANCE UNLESS OTHERWISE

單位 UNITS	MM	制圖 DRAWING	Z-Y-B	產品料號 PRODUCT PART NO.	產品名稱 PRODUCT NAME	角法 VIEW	版本 VER
X	±0.25	X'	±5'				
.X	±0.20	.X'	±2'				
.XX	±0.15	.XX'	±1'				
.XXX	±0.10	.XXX'	±0.5'				
		日期 DATE	2015.08.14	核准 APPD			40